
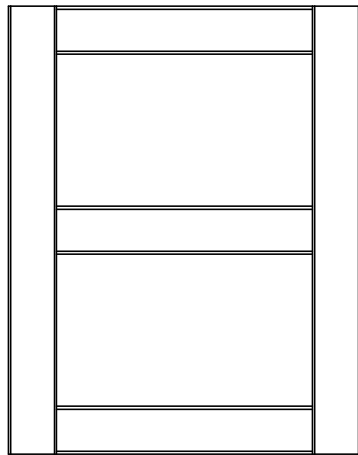
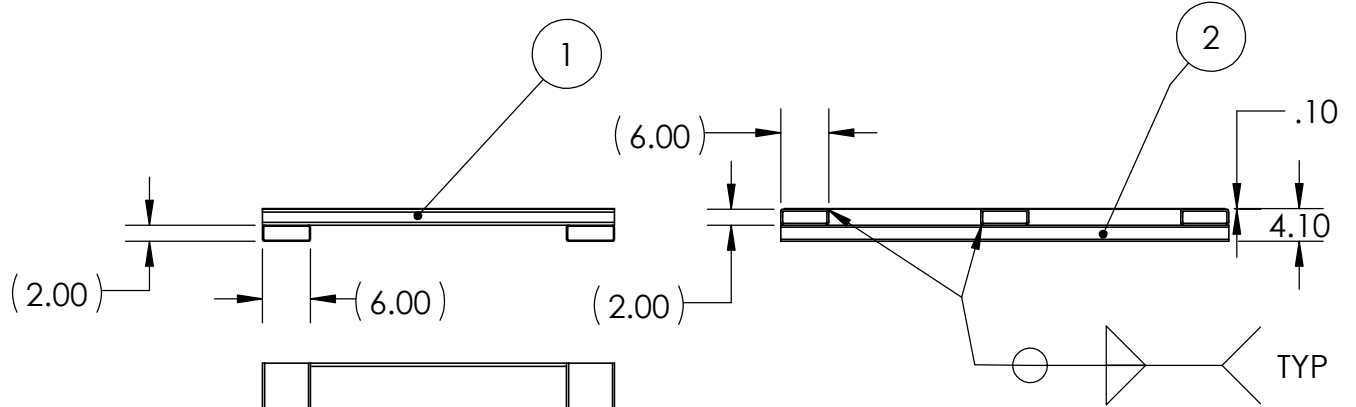
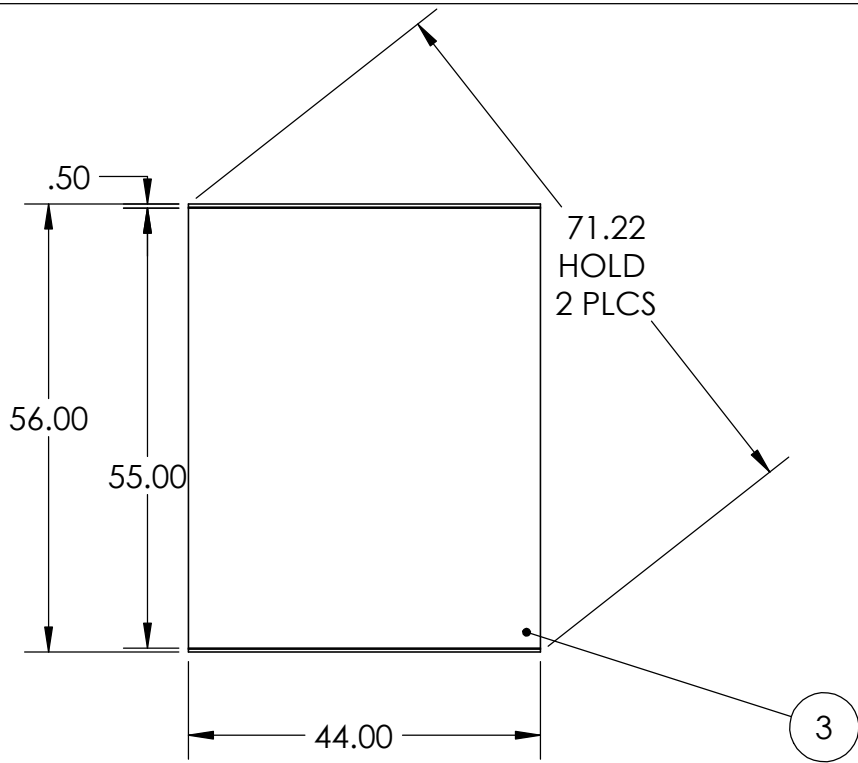



PROPRIETARY AND CONFIDENTIAL
 THE INFORMATION CONTAINED IN THIS DRAWING IS THE SOLE PROPERTY OF LEFCO WORTHINGTON. ANY REPRODUCTION IN PART OR AS A WHOLE WITHOUT THE WRITTEN PERMISSION OF LEFCO WORTHINGTON IS PROHIBITED.

		DIMENSIONS ARE IN INCHES TOLERANCES: FRACTIONAL $\pm 1/16"$		NAME	DATE
		MATERIAL SEE DWG FIELD		DRAWN	
		FINISH N/A		CHECKED	
NEXT ASSY	USED ON	APPLICATION DO NOT SCALE DRAWING		ENG APPR.	
				COMMENTS:	
					
				SIZE A	DWG. NO. 44L X 56W X 4.1H
				SCALE: 1:10	APPROX WEIGHT: 263.57 LBS
				REV. SHEET 1 OF 3	

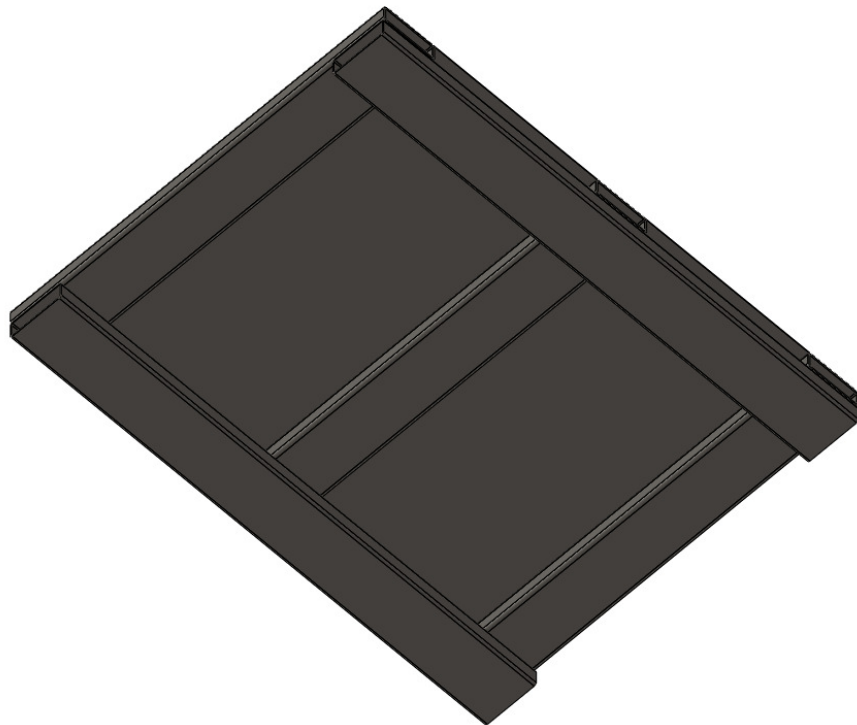


ITEM #	QTY	DESCRIPTION	LENGTH
1	3	TUBE, RECTANGULAR 6.00 X 2.00 X .25	44
2	2	TUBE, RECTANGULAR 6.00 X 2.00 X .125	56
3	1	12 GA. SHEET METAL 55X44	

<p>PROPRIETARY AND CONFIDENTIAL THE INFORMATION CONTAINED IN THIS DRAWING IS THE SOLE PROPERTY OF LEFCO WORTHINGTON. ANY REPRODUCTION IN PART OR AS A WHOLE WITHOUT THE WRITTEN PERMISSION OF LEFCO WORTHINGTON IS PROHIBITED.</p>			DIMENSIONS ARE IN INCHES TOLERANCES: FRACTIONAL ± 1/16"	NAME	DATE
				DRAWN	
			MATERIAL SEE DWG FIELD	CHECKED	
	NEXT ASSY	USED ON	FINISH N/A	ENG APPR.	
	APPLICATION		DO NOT SCALE DRAWING	COMMENTS:	



SIZE A	DWG. NO. 44L X 56W X 4.1H	REV.
SCALE: 1:24	APPROX. WEIGHT: 263.57 LBS	SHEET 2 OF 3



PROPRIETARY AND CONFIDENTIAL
 THE INFORMATION CONTAINED IN THIS DRAWING IS THE SOLE PROPERTY OF LEFCO WORTHINGTON. ANY REPRODUCTION IN PART OR AS A WHOLE WITHOUT THE WRITTEN PERMISSION OF LEFCO WORTHINGTON IS PROHIBITED.

		DIMENSIONS ARE IN INCHES TOLERANCES: FRACTIONAL $\pm 1/16"$	NAME	DATE
			DRAWN	
		MATERIAL SEE DWG FIELD	CHECKED	
			ENG APPR.	
NEXT ASSY	USED ON	FINISH N/A	COMMENTS:	
APPLICATION		DO NOT SCALE DRAWING		



SIZE A	DWG. NO. 44L X 56W X 4.1H	REV.
SCALE:1:16	APPROX. WEIGHT: 263.57 LBS	SHEET 3 OF 3